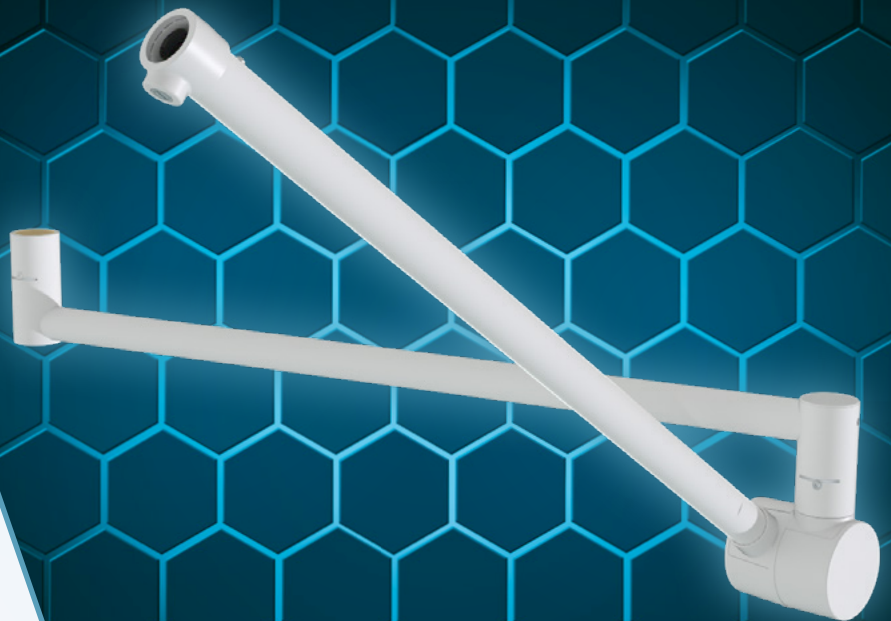


Spring arm 5

Versatile, lightweight & reliable



AMTRION
VALUES IN MOTION

Spring arm 5

The spring arm 5 is specially designed for mounting lightweight examination lights. With its high weight range of 1 - 5 kilograms, it is ideal to support light or heavier exam lights. It is mainly used in examination rooms of clinics and outpatient departments as well as in medical practices.

Compatible with common interfaces

Payload range of 1 - 5 kg

Available as wall-, ceiling and mobile version

Optionally with extension arm

Internal cable routing

Spring arm 5 with horizontal extension



*Maintenance
free*

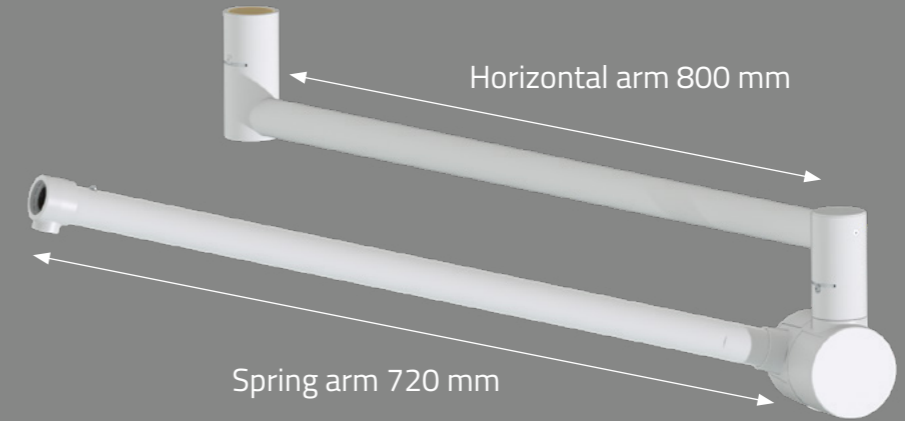
*Long
service life*

*engineered by
AMTRION*
VALUES IN MOTION

*Made in
Germany*

*designed by
AMTRION*
VALUES IN MOTION

Stroke range



Specifications

Material	Steel tube
Variants	LCH (straight condition)
Arm length	720 mm Low Ceiling Hight (LCH)
Payload	1–5 kg
	max. 50 Nm
Electric	3 pole slip ring
Horizontal Stop limit	optional for mobile version
Weight adjustment	integrated
Colour	RAL 9010 Structure
Packing	Cardboard box

All technical data as well as the weight and dimensions are carefully prepared. Subject to errors. We reserve the right to make indicated changes for the sake of progress. Object pictures might show products with special accessories.

PRODUCT PORTFOLIO

- TROLLIES
- FIXING SYSTEMS
- ARTICULATED ARM SYSTEMS
- SUSPENSION ARM SYSTEMS
- ELECTRONIC COMPONENTS

PRODUCTION BY ORDER

PRODUCT DEVELOPMENT



AMTRION
VALUES IN MOTION

AMTRION GmbH
Sandtrift 1
32457 Porta Westfalica
Germany
Phone: +49 5731 7607 0
info@amtrion.com
www.amtrion.com

AMTRION USA, Inc.
830 International Boulevard
Fountain Inn, South Carolina 29644
USA
office.us@amtrion.com

*Made in
Germany*

designed by
AMTRION
VALUES IN MOTION

*certified
according
to ISO
13485:2016*

engineered by
AMTRION
VALUES IN MOTION